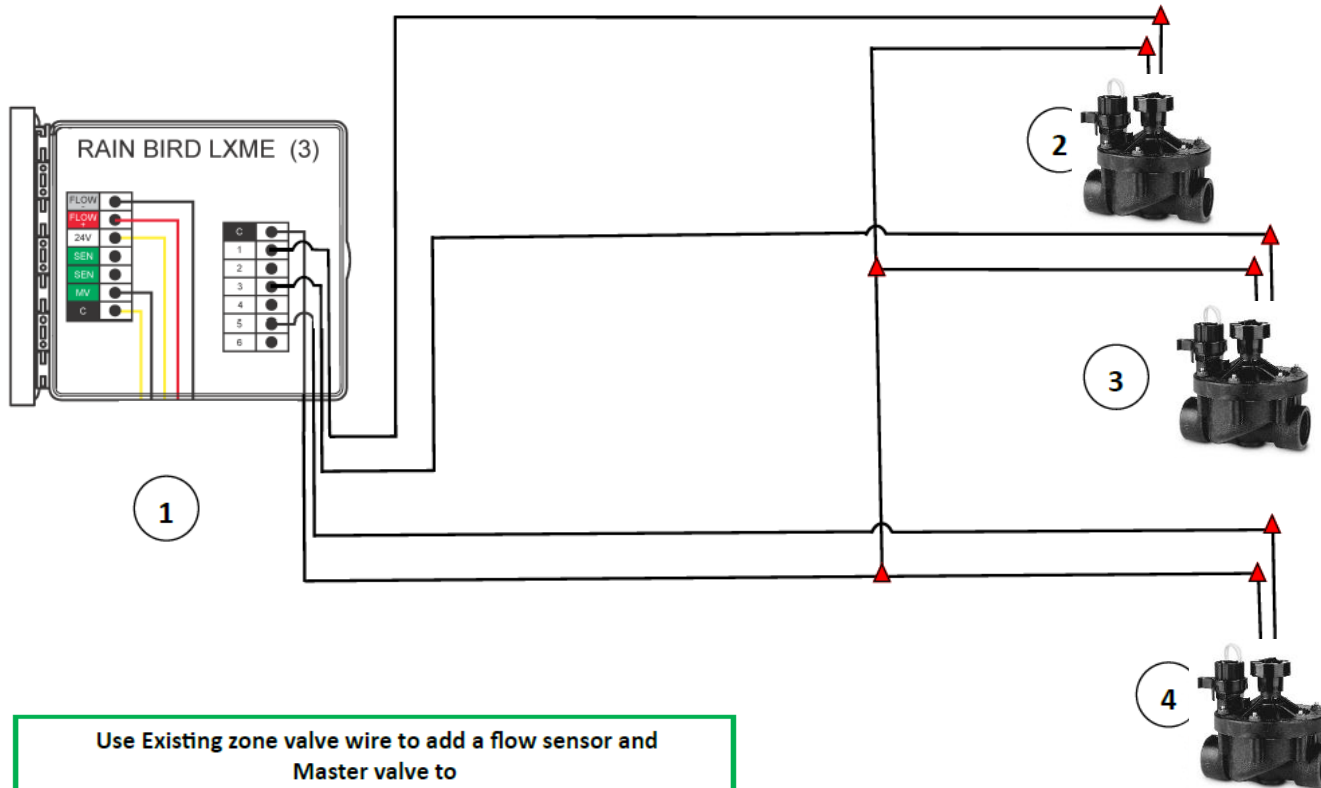


Retrofitting a new Flow Sensor and Mastervalue (or Pumpstart) ***USING A ZONE VALVE*** to a traditionally wired Controller with a CST Pathway.



+



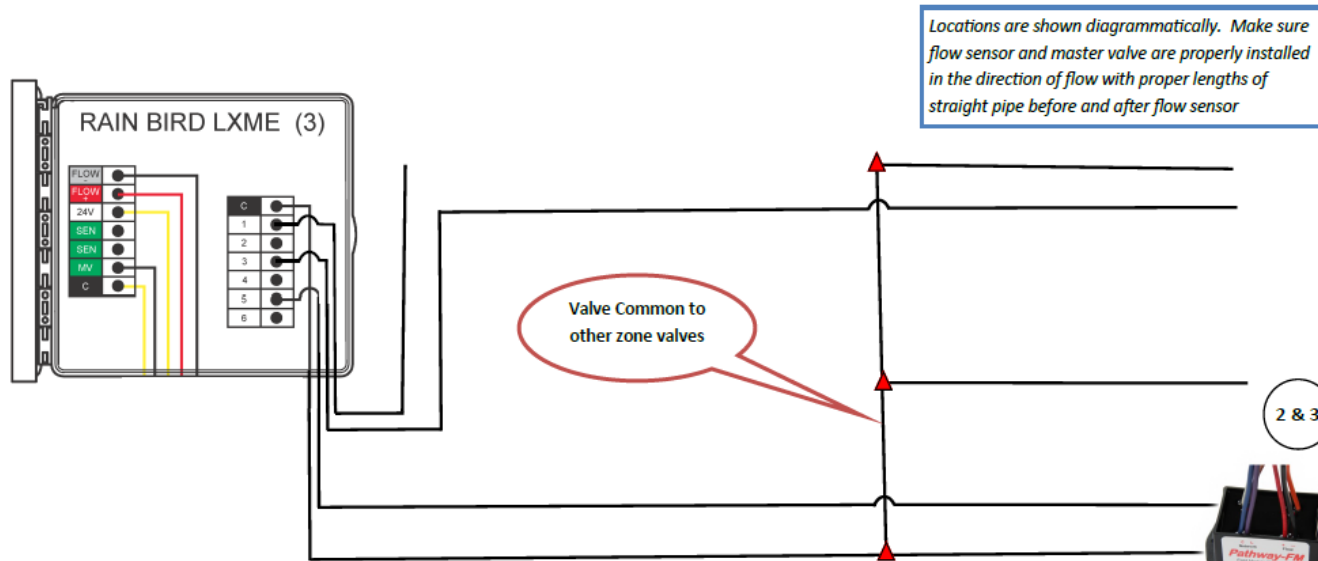


Use Existing zone valve wire to add a flow sensor and Master valve to Rain Bird LXME using Pathway

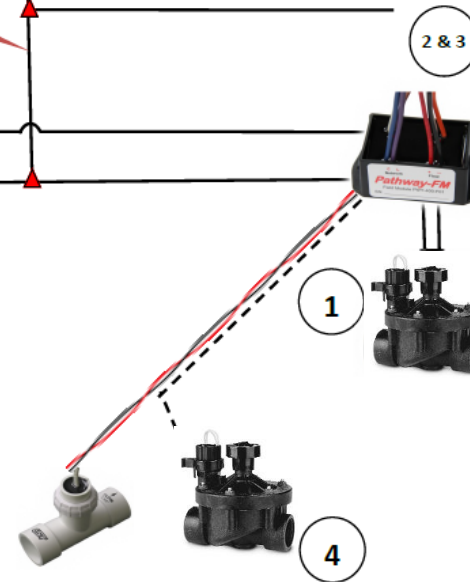
1. Rain Bird LXME controller with flow module
2. & 3. Zone control valves
4. Zone valve nearest proposed location of new flow sensor and master valve (will be used as a HOST valve for Pathway)

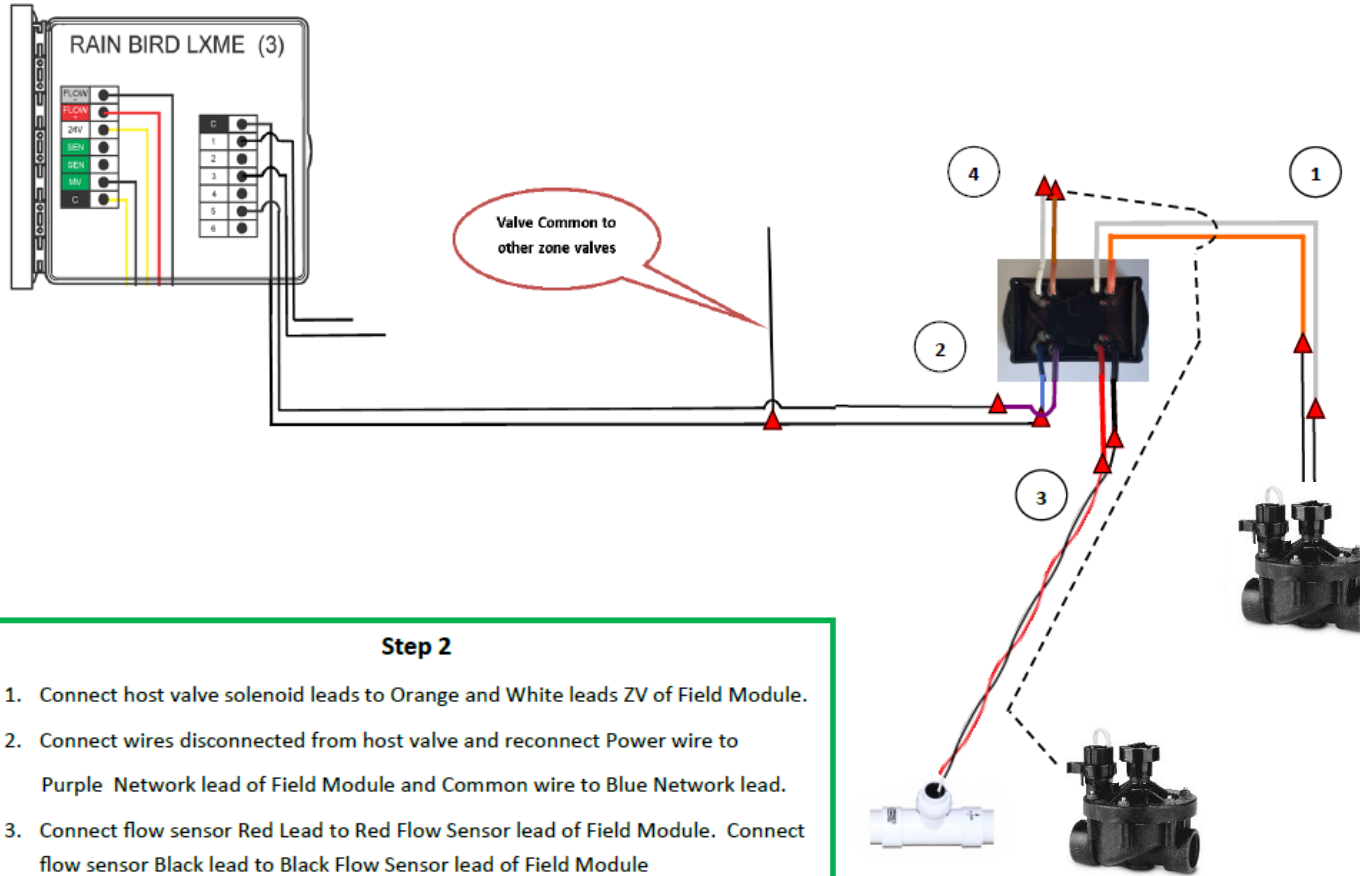
 CREATIVE SENSOR TECHNOLOGY

WD-42 9/15/17



- Step 1**
1. Locate zone valve close to POC (point of connection) to use as Host valve.
 2. Disconnect wires connected to host valve solenoid. Make sure to identify which wire is the power wire and which is the common.
 3. Locate Pathway field module in host valve box, attach to cover with enclosed fasteners.
 4. Install new flow sensor and master valve at POC. Install 1 twisted pair of wires for flow sensor and 1 pair of wires for master valve from POC to host valve box.
- Note:** Make all splice water tight using wire nuts and grease, gel, or epoxy splice kits.



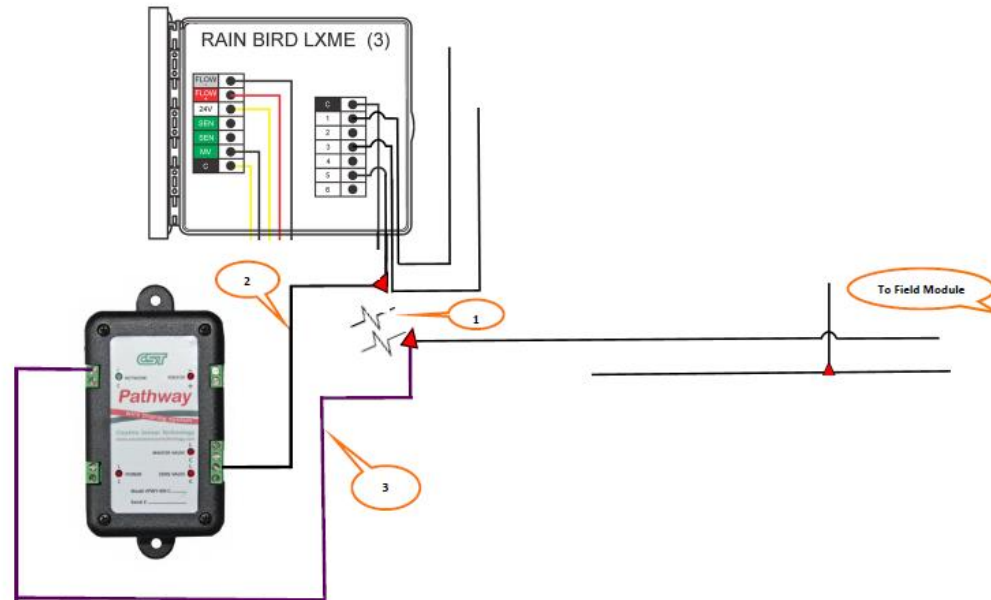


Step 2

1. Connect host valve solenoid leads to Orange and White leads ZV of Field Module.
2. Connect wires disconnected from host valve and reconnect Power wire to Purple Network lead of Field Module and Common wire to Blue Network lead.
3. Connect flow sensor Red Lead to Red Flow Sensor lead of Field Module. Connect flow sensor Black lead to Black Flow Sensor lead of Field Module
4. Connect master valve solenoid wires to Brown and White MV leads of Field Module.

Note: Make all splice water tight using wire nuts and grease, gel, or epoxy splice kits.

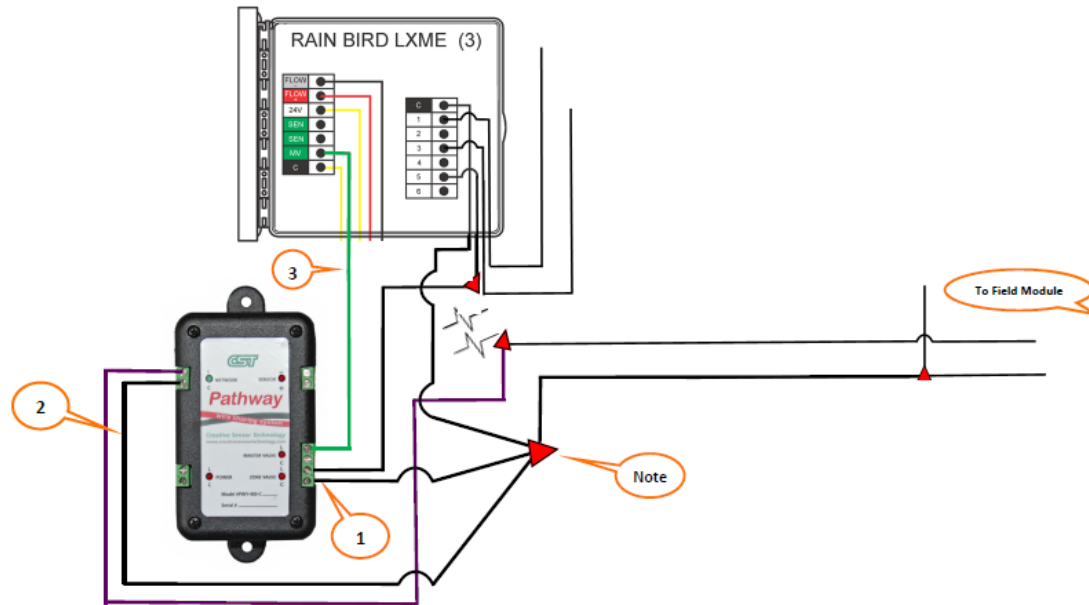
Locations are shown diagrammatically. Make sure flow sensor and master valve are properly installed in the direction of flow with proper lengths of straight pipe before and after flow sensor



Step 3—Install the Pathway Controller Module at the Irrigation Controller

1. Break Host Zone Valve Power wire connection to controller.
2. Re-route wire from controller Zone Valve terminal to Pathway controller module ZV terminal.
3. Re-route Host Zone Valve power wire from field to Pathway controller module Network + terminal

Locations are shown diagrammatically. Make sure flow sensor and master valve are properly installed in the direction of flow with proper lengths of straight pipe before and after flow sensor

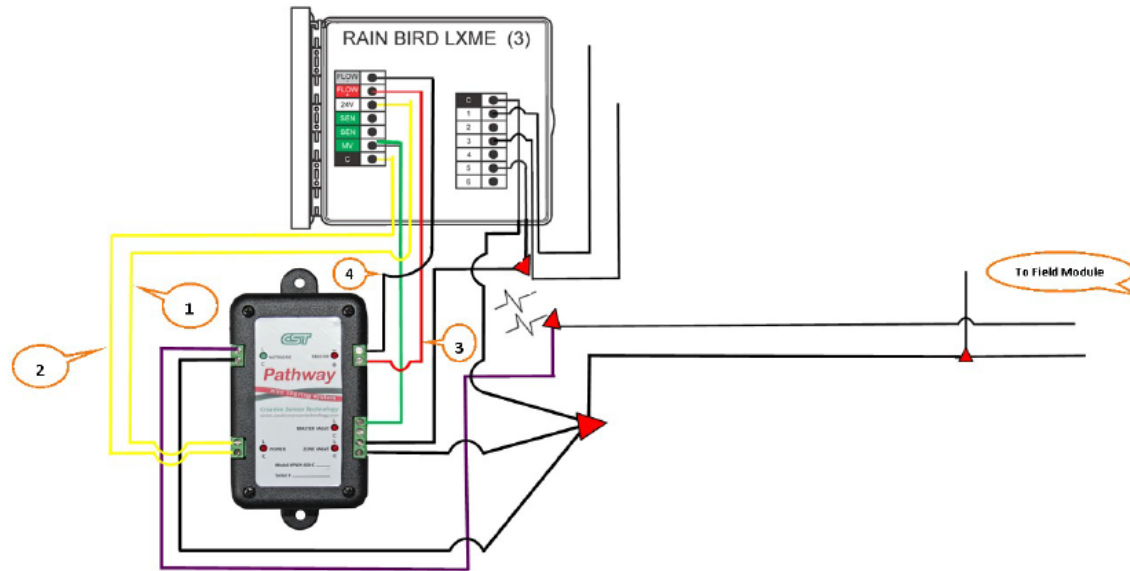


Step 4

1. Connect controller Common wire from field to the Pathway Controller Module MV or ZV –C terminal (either one).
2. Connect controller Common wire to field to the Pathway Controller Module Network –C terminal.
3. Connect controller Master Valve terminal to Pathway Controller Module MV terminal.

Note: Use one large wire nut to make a four wire splice rather than putting two or more wires into one terminal.

Locations are shown diagrammatically. Make sure flow sensor and master valve are properly installed in the direction of flow with proper lengths of straight pipe before and after flow sensor



Step 5

1. Connect 24 V Power terminal on controller flow module to Power L terminal of Pathway controller module.
2. Connect Common terminal on controller flow module to Power C terminal of Pathway controller module.
3. Connect Sensor + terminal of Pathway controller module to Red Flow + terminal of controller flow module.
4. Connect Sensor - terminal of Pathway controller module to Gray Flow - terminal of controller flow module.

Finally—Power up the irrigation controller and look for all LEDs on Pathway to blink three times. Then Red Power LED and Green Network LED should blink continuously.

Locations are shown diagrammatically. Make sure flow sensor and master valve are properly installed in the direction of flow with proper lengths of straight pipe before and after flow sensor