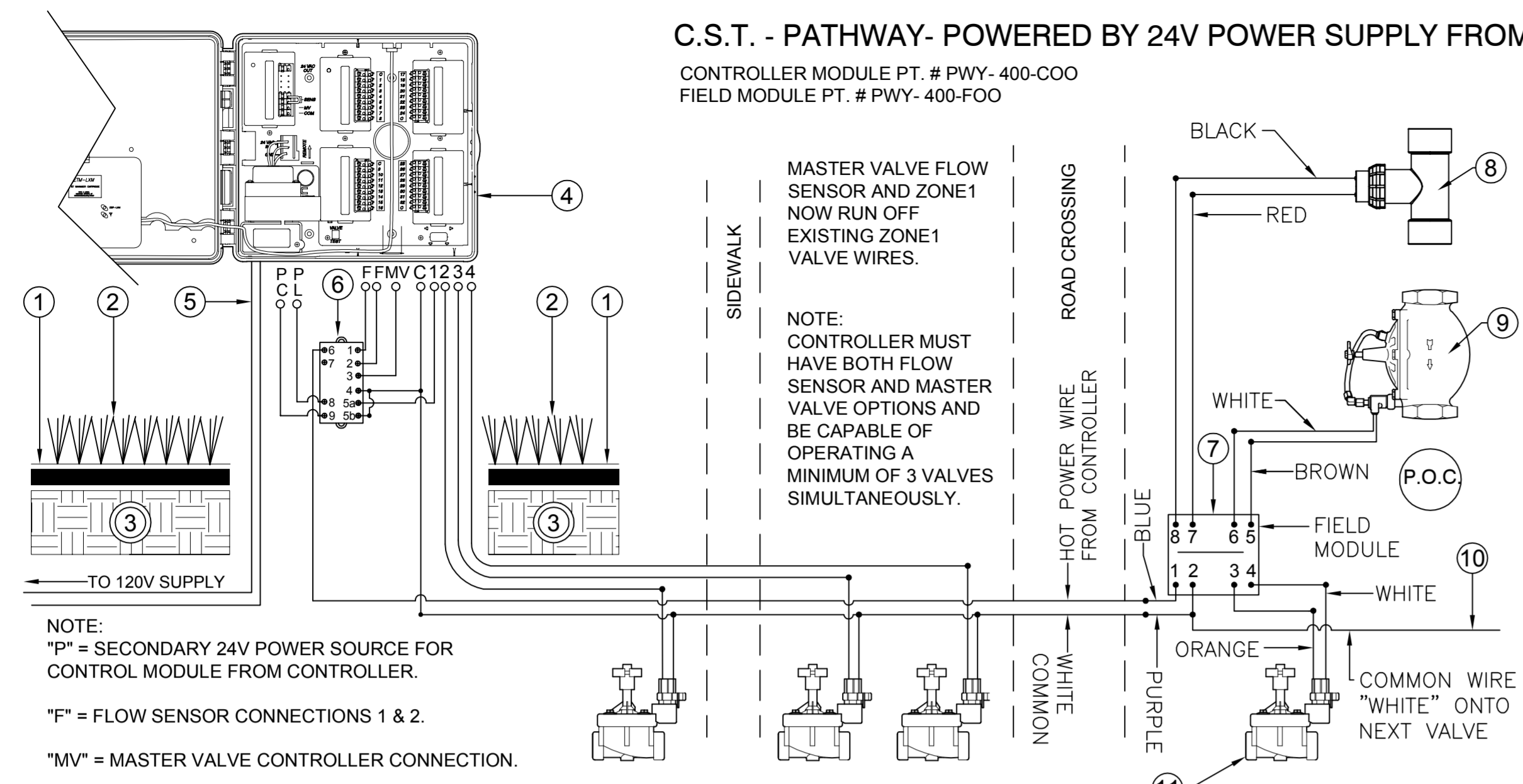


C.S.T. - PATHWAY- POWERED BY 24V POWER SUPPLY FROM CONTROLLER

CONTROLLER MODULE PT. # PWY- 400-COO
FIELD MODULE PT. # PWY- 400-FOO



- ① FINISH GRADE OR TOP OF MULCH.
- ② PLANT MATERIAL (TURF, SHRUB OR GROUND COVER).
- ③ CLEAN SOIL NATIVE/AMENDED FREE OF ROCK & DEBRIS.
- ④ WALL MOUNT IRRIGATION CONTROLLER.
- ⑤ TO 120 VOLT SOURCE.
- ⑥ PATHWAY CONTROLLER MODULE
- ⑦ FIELD MODULE
- ⑧ FLOW SENSOR
- ⑨ MASTER VALVE
- ⑩ COMMON WIRE ON TO NEXT VALVE.
- ⑪ HOST VALVE

FIELD MODULE CONNECTIONS		
1	BLUE	ZONE VALVE "POWER" WIRE LEAD FROM CONTROLLER
2	PURPLE	VALVE "COMMON" WIRE LEAD FROM CONTROLLER
3	ORANGE	HOST VALVE SOLENOID WIRE LEAD
4	WHITE	HOST VALVE SOLENOID WIRE LEAD
5	BROWN	MASTER VALVE SOLENOID WIRE LEAD
6	WHITE	MASTER VALVE SOLENOID WIRE LEAD
7	RED	FLOW SENSOR "RED" WIRE LEAD (+)
8	BLACK	FLOW SENSOR "RED" WIRE LEAD (-)

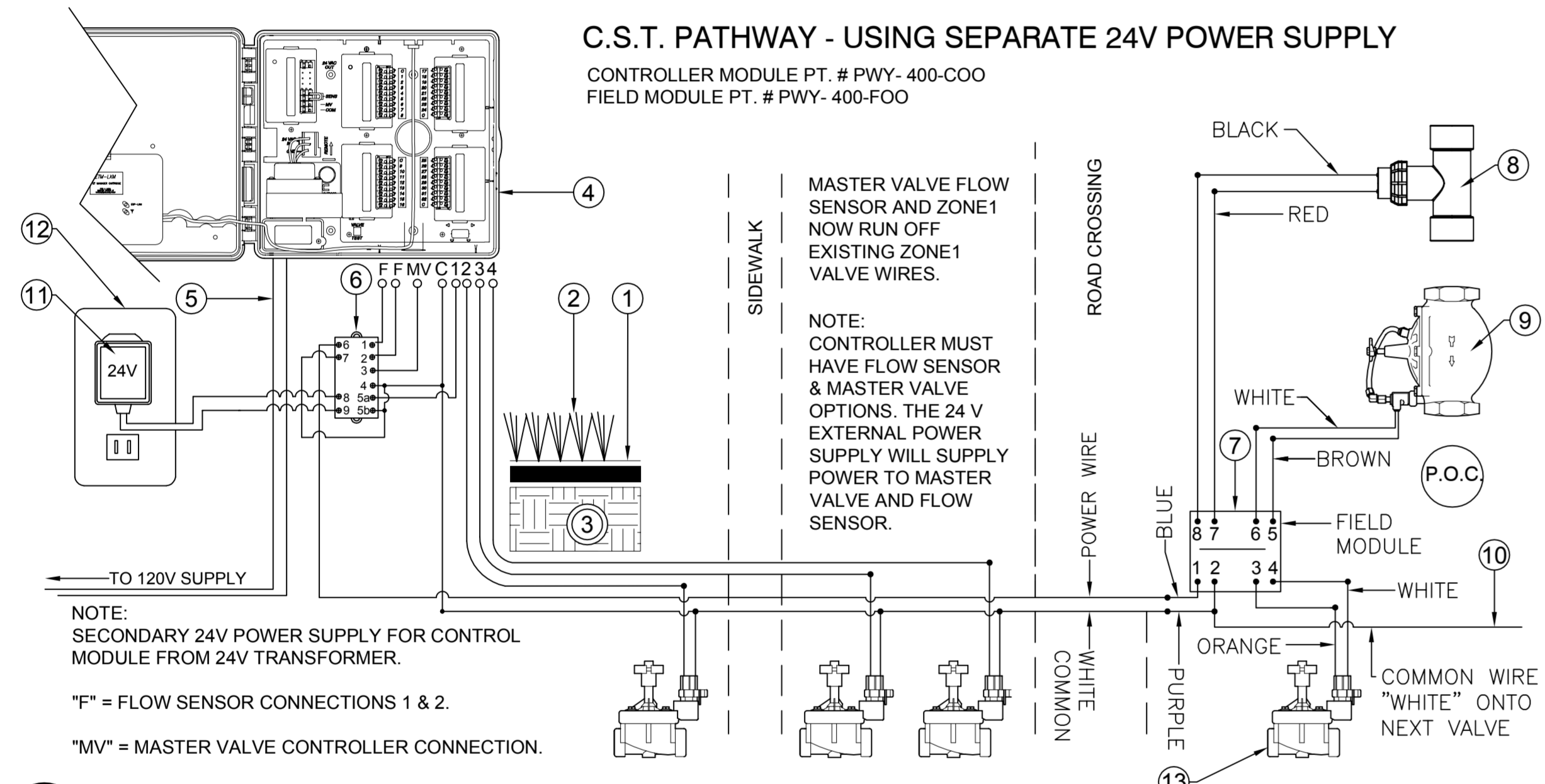
CONTROLLER MODULE (CM) CONNECTIONS		
1	SENSOR +	FLOW SENSOR PLUS (+) TERMINAL OF IRRIGATION CONTROLLER
2	SENSOR -	FLOW SENSOR MINUS (-) TERMINAL OF IRRIGATION CONTROLLER
3	MASTER VALVE "L"	MASTER VALVE TERMINAL OF IRRIGATION CONTROLLER
4	MASTER VALVE "C"	IRRIGATION CONTROLLER "COMMON" WIRE TERMINAL WITH FIELD COMMON WIRES CONNECTED
5a	ZONE VALVE "L"	"HOST" ZONE VALVE TERMINAL OF IRRIGATION CONTROLLER ONLY
5b	ZONE VALVE "C"	IRRIGATION CONTROLLER'S COMMON WIRE TERMINAL WITH FIELD COMMON WIRES CONNECTED OR JUMPER TO MV C (4)
6	NETWORK "L"	POWER WIRE TO THE HOST VALVE DISCONNECTED FROM THE CORRESPONDING CONTROLLER ZONE VALVE TERMINAL
7	NETWORK "C"	NOT CONNECTED
8	POWER "L"	24 VAC POWER FROM THE CONTROLLER'S AUXILLARY POWER LOAD OR "HOT" TERMINAL
9	POWER "C"	24 VAC POWER FROM THE CONTROLLER'S AUXILLARY POWER COMMON TERMINAL

3 C.S.T., PATHWAY POWERED BY 24V POWER SUPPLY

N.T.S.

C.S.T. PATHWAY - USING SEPARATE 24V POWER SUPPLY

CONTROLLER MODULE PT. # PWY- 400-COO
FIELD MODULE PT. # PWY- 400-FOO



- ① FINISH GRADE OR TOP OF MULCH.
- ② PLANT MATERIAL (TURF, SHRUB OR GROUND COVER).
- ③ CLEAN SOIL NATIVE/AMENDED FREE OF ROCK & DEBRIS.
- ④ WALL MOUNT IRRIGATION CONTROLLER.
- ⑤ TO 120 VOLT SOURCE.
- ⑥ PATHWAY CONTROLLER MODULE
- ⑦ FIELD MODULE
- ⑧ FLOW SENSOR
- ⑨ MASTER VALVE
- ⑩ COMMON WIRE ON TO NEXT VALVE.
- ⑪ PLUG IN TRANSFORMER 24V, SECONDARY POWER SOURCE FOR THE "CONTROL MODULE".
- ⑫ 120V WALL PLATE WITH 2 PLUG-INS
- ⑬ HOST VALVE

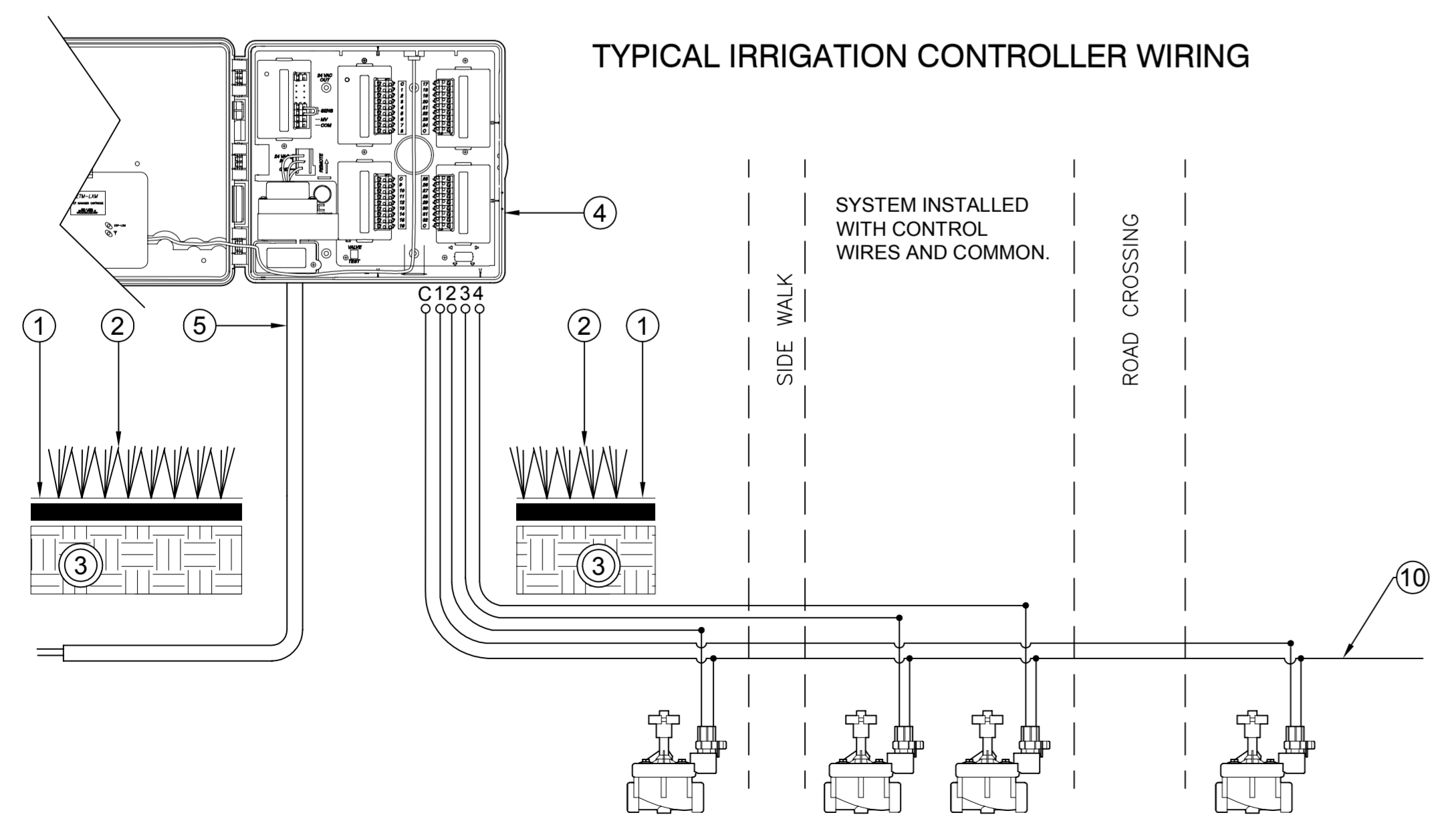
FIELD MODULE CONNECTIONS		
1	BLUE	ZONE VALVE "POWER" WIRE LEAD FROM CONTROLLER
2	PURPLE	VALVE "COMMON" WIRE LEAD FROM CONTROLLER
3	ORANGE	HOST VALVE SOLENOID WIRE LEAD
4	WHITE	HOST VALVE SOLENOID WIRE LEAD
5	BROWN	MASTER VALVE SOLENOID WIRE LEAD
6	WHITE	MASTER VALVE SOLENOID WIRE LEAD
7	RED	FLOW SENSOR "RED" WIRE LEAD (+)
8	BLACK	FLOW SENSOR "RED" WIRE LEAD (-)

CONTROLLER MODULE (CM) CONNECTIONS		
1	SENSOR+	FLOW SENSOR (+) TERMINAL OR WIRE LEAD OF IRRIGATION CONTROLLER
2	SENSOR -	FLOW SENSOR (-) TERMINAL OR WIRE LEAD OF IRRIGATION CONTROLLER
3	MASTER VALVE "L"	MASTER VALVE TERMINAL OF IRRIGATION CONTROLLER
4	MASTER VALVE "C"	IRRIGATION CONTROLLER'S "COMMON" WIRE TERMINAL WITH FIELD COMMON WIRES CONNECTED
5a	ZONE VALVE "L"	"HOST" ZONE VALVE TERMINAL OF IRRIGATION CONTROLLER ONLY
5b	ZONE VALVE "C"	IRRIGATION CONTROLLER'S "COMMON" WIRE TERMINAL WITH FIELD COMMON WIRES CONNECTED
6	NETWORK "L"	POWER WIRE TO THE HOST VALVE DISCONNECTED FROM THE CORRESPONDING CONTROLLER ZONE VALVE TERMINAL
7	NETWORK "C"	CONNECT WITH JUMPER WIRE TO ZONE VALVE "C" TERMINAL OF THIS MODULE
8	POWER "L"	24V POWER - FROM SEPARATE POWER SUPPLY "L"
9	POWER "C"	24V POWER - FROM SEPARATE POWER SUPPLY "C"

2 C.S.T. PATHWAY - USING SEPARATE 24V POWER SUPPLY

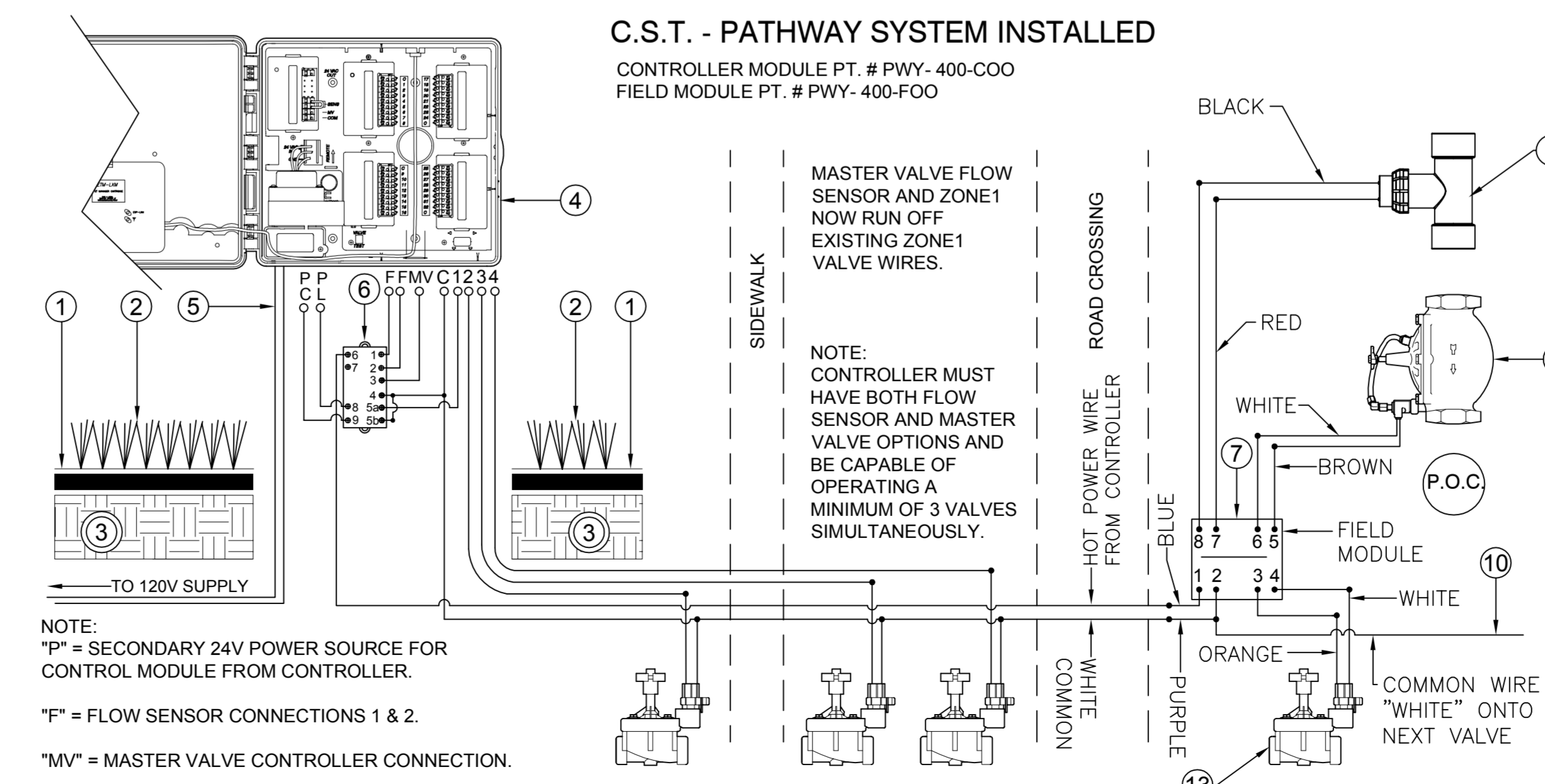
N.T.S.

TYPICAL IRRIGATION CONTROLLER WIRING



C.S.T. - PATHWAY SYSTEM INSTALLED

CONTROLLER MODULE PT. # PWY- 400-COO
FIELD MODULE PT. # PWY- 400-FOO



- ① FINISH GRADE OR TOP OF MULCH.
- ② PLANT MATERIAL (TURF, SHRUB OR GROUND COVER).
- ③ CLEAN SOIL NATIVE/AMENDED FREE OF ROCK & DEBRIS.
- ④ WALL MOUNT IRRIGATION CONTROLLER.
- ⑤ TO 120 VOLT SOURCE.
- ⑥ PATHWAY CONTROLLER MODULE
- ⑦ FIELD MODULE
- ⑧ FLOW SENSOR
- ⑨ MASTER VALVE
- ⑩ COMMON WIRE ON TO NEXT VALVE.
- ⑪ PLUG IN TRANSFORMER 24V, SECONDARY POWER SOURCE FOR THE "CONTROL MODULE".
- ⑫ 120V WALL PLATE WITH 2 PLUG-INS
- ⑬ HOST VALVE

1 C.S.T., PATHWAY SYSTEM

N.T.S.