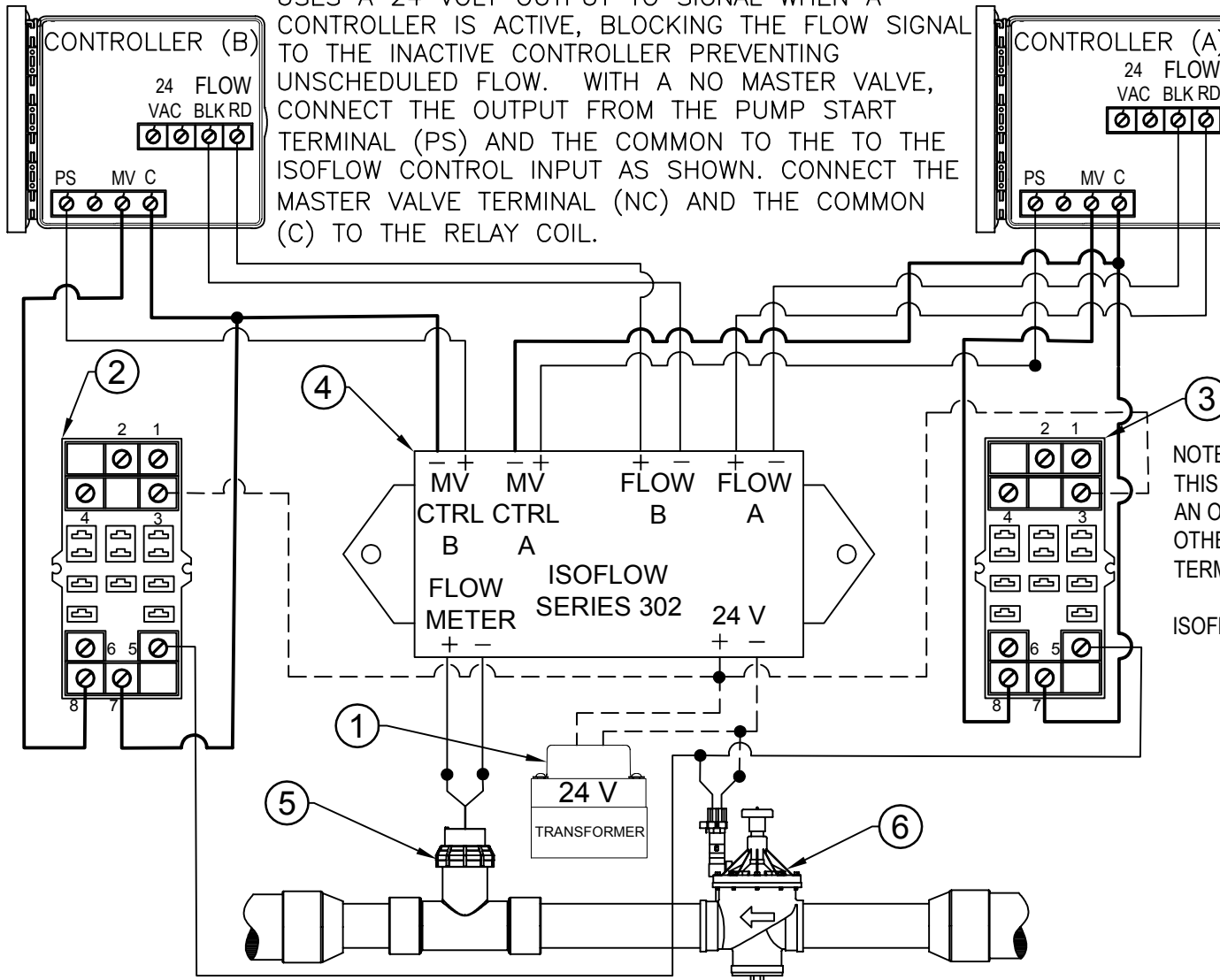




Creative Sensor Technology
TEL: + 508-763-8100

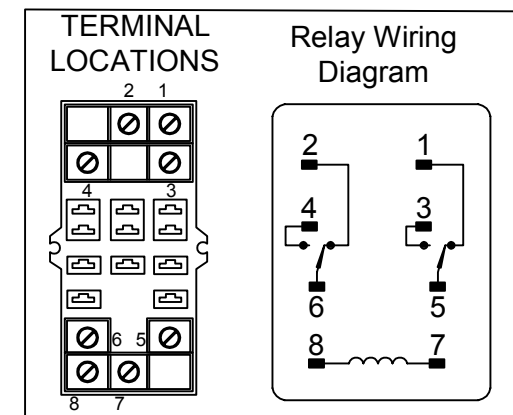
ISOFLOW DOES NOT ISOLATE MASTER VALVE, USE ISOLATION RELAY FOR EACH CONTROLLER. ISOFLOW USES A 24 VOLT OUTPUT TO SIGNAL WHEN A CONTROLLER IS ACTIVE, BLOCKING THE FLOW SIGNAL TO THE INACTIVE CONTROLLER PREVENTING UNSCHEDULED FLOW. WITH A NO MASTER VALVE, CONNECT THE OUTPUT FROM THE PUMP START TERMINAL (PS) AND THE COMMON TO THE TO THE ISOFLOW CONTROL INPUT AS SHOWN. CONNECT THE MASTER VALVE TERMINAL (NC) AND THE COMMON (C) TO THE RELAY COIL.



- ① SECONDARY STEP DOWN TRANSFORMER 110V TO 24V POWER SUPPLY.
- ② ISOLATION RELAY #1
- ③ ISOLATION RELAY #2
- ④ ISOFLOW MODEL ISF-302
- ⑤ C.S.T. FLOW SENSOR
- ⑥ MASTER VALVE (NORMALLY OPEN).

NOTE:
THIS DETAIL DEPICTS A RELAY SOCKET, PART NO. PTF08A-E FOR AN OMRON LY2F DPDT C FORM RELAY WITH 24 VOLT COIL. IF OTHER MANUFACTURER'S RELAYS ARE USED, CONSULT TERMINAL LAYOUT SUPPLIED WITH THE PRODUCT

ISOFLOW & MASTER VALVE CAN SHARE 24V POWER SUPPLY.



2

ISOFLOW (N/O) MASTER VALVE ISOLATION RELAY

N.T.S. NORMALLY OPEN MASTER VALVE WITH ONE FLOW SENSOR AND TWO CONTROLLERS